

PANELBOARD: A

LOCATION: MECH ROOM TYPE: NEMA 1, BOLT-ON, CB BUS: 400 A

MAIN: 400A/2P MCB MOUNTING: SURFACE VOLTAGE: 240 /120V, 1P, 3W

CCT	C/B	DESCRIPTION	PHASE A VA	PHASE B VA	DESCRIPTION	C/B	CCT
1	40	ACCU-1	2808	2808	ACCU-4	40	2
3	2			2808	2808		2 4
5	40	ACCU-2	2808	2808	ACCU-5	40	6
7	2			2808	2808		2 8
9	40	ACCU-3	2808	4030	OVEN	40	10
11	2			2808	4030		2 12
13	20	F-1	1584	1584	F-4	20	1 14
15	20	F-2		1584	1584	F-5	20 1 16
17	20	F-3	1584				20 1 18
19	20	1 RM 136 FREEZER		700			20 1 20
21	20	1 RM 136 REFRIGERATOR	700				20 1 22
23	20	1 RECEPTACLES KITCHEN		360			20 1 24
25	20	1 RECEPTACLES KITCHEN	500				20 1 26
27	20	1 RECEPTACLES KITCHEN		1200			20 1 28
29	20						20 1 30
31	20			11120	PANELBOARD B	100	32
33	20			11120		100	2 34
35	20	1 FACP		6574	PANELBOARD C	100	36
37	20	1 WATER HEATER	6574				20 2 38
39	20	1 RECIRC PUMPS		1000			20 1 40
41	20				RM 129 MICROWAVE		20 1 42
TOTAL VA/ PHASE			41716	42192	TOTAL VA 83908		
			348	352	TOTAL AMPS 350		
					DEMAND AMPS 340		

22,000 LO : PROVIDE CIRCUIT BREAKER LOCK-ON DEVICE  
AIG RATED C : CONTACTOR CONTROLLED CIRCUIT

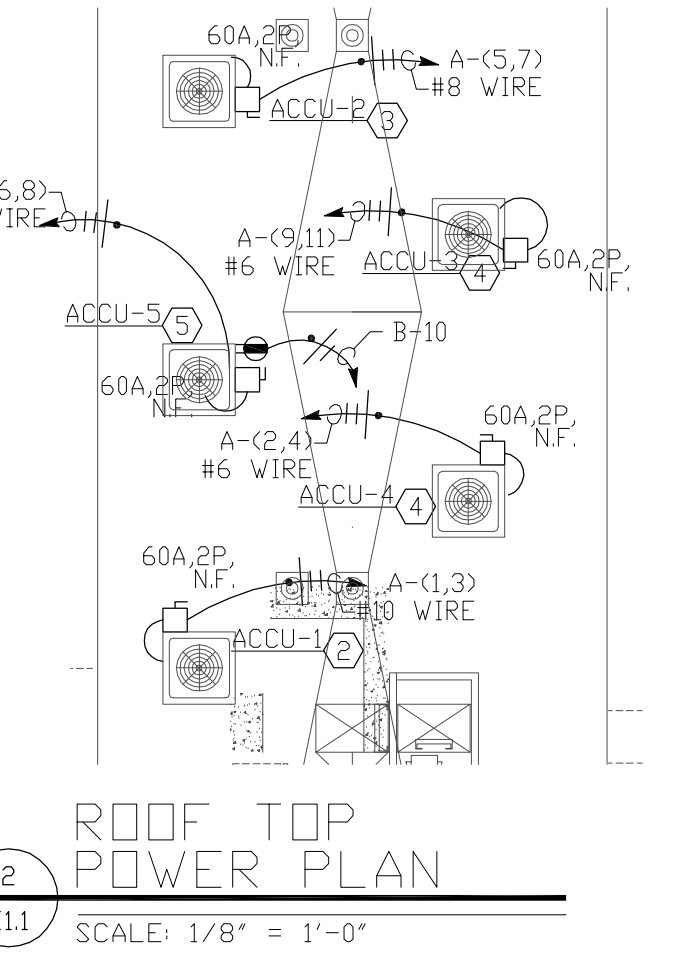
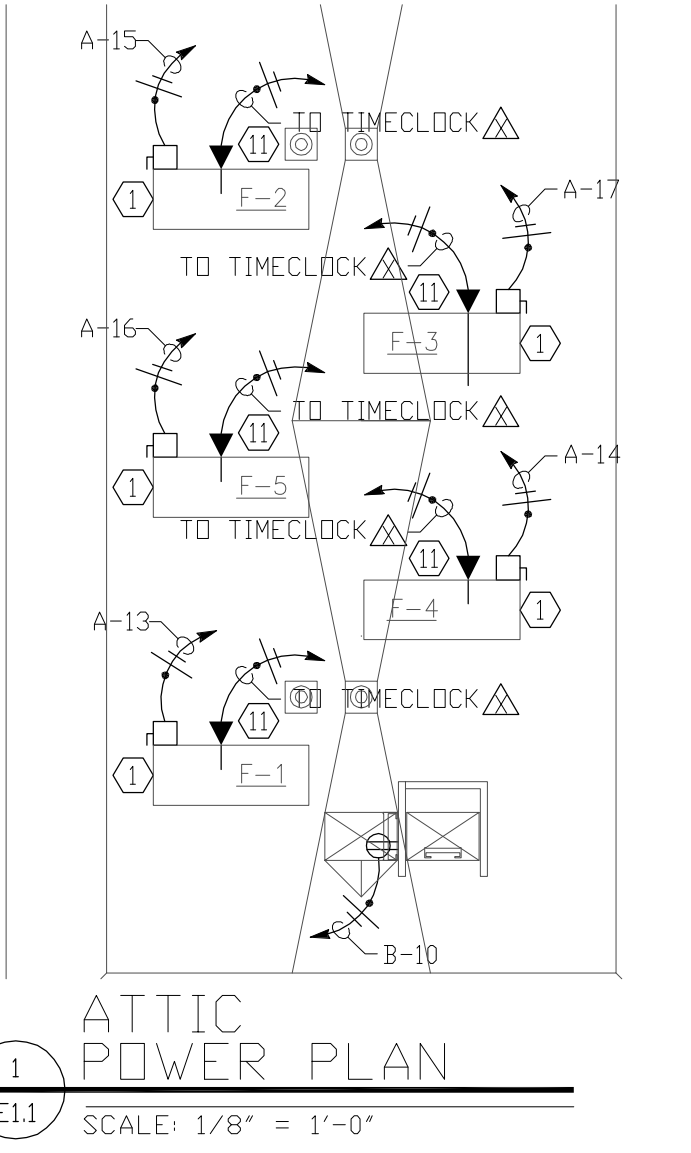
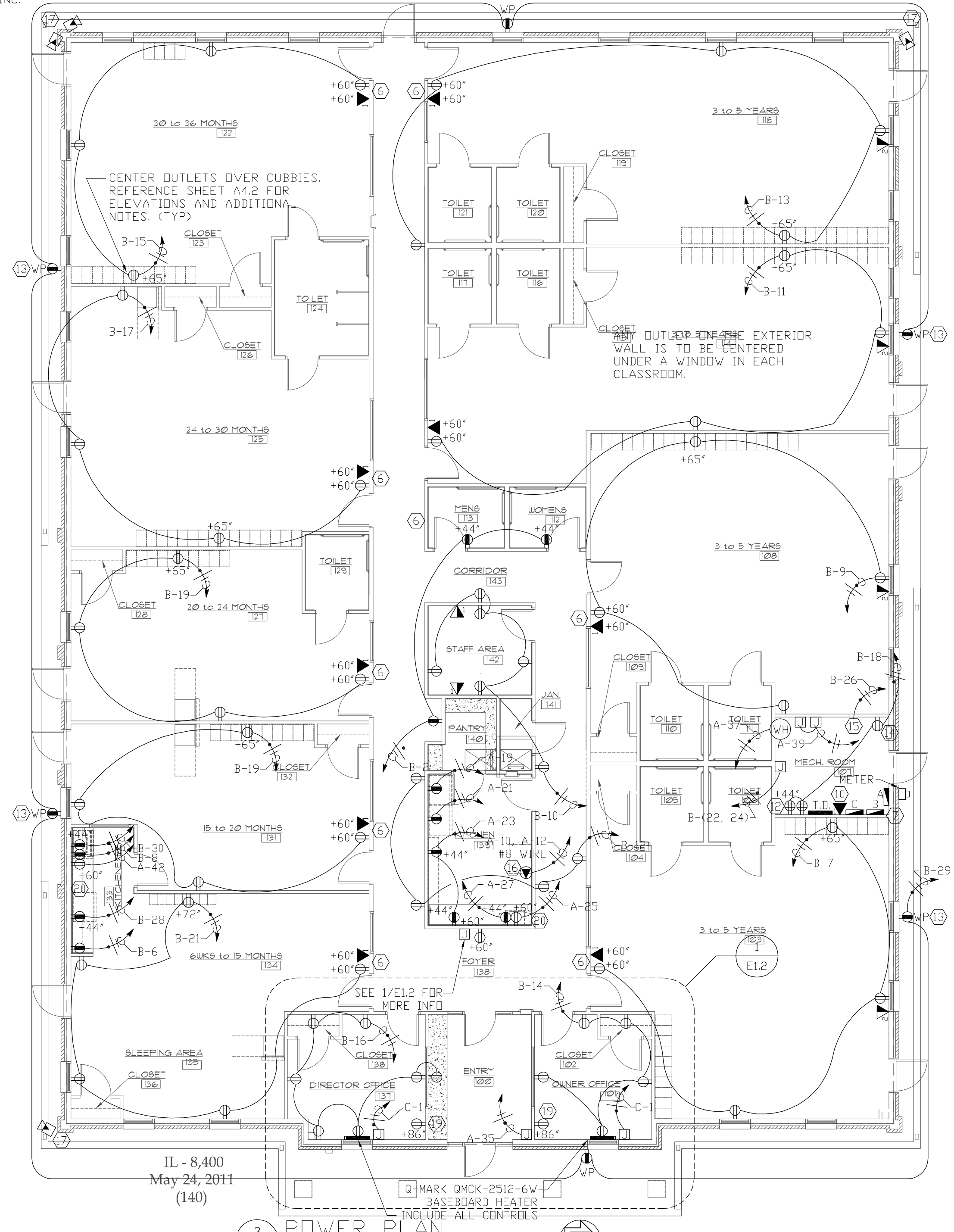
ELECTRICAL KEY NOTES

- FURNACE #1, #2, #3, #4 AND #5: 120 V, 1 PHASE, RUN 2 #12 AND 1 #12 GROUND FROM A 30/1P NON-FUSED DISCONNECT SWITCH AT A UNIT TO A 20A/1P CIRCUIT BREAKER IN PANEL AS INDICATED. MAKE ALL FINAL ELECTRICAL CONNECTIONS.
- ACCU-1: RUN 3 #8 AND 1 #10 GROUND FROM A 60A/2P NON-FUSED DISCONNECT SWITCH AT UNIT TO A 40A/2P "HACR" CIRCUIT BREAKER IN PANEL AS INDICATED. MAKE ALL FINAL ELECTRICAL CONNECTIONS.
- ACCU-2: PROVIDE A 60A/2P NON-FUSED DISCONNECT SWITCH IN NEMA "3R" ENCLOSURE. RUN 3 #8 AND 1 #10 GROUND FROM DISCONNECT SWITCH TO A 40A/2P "HACR" CIRCUIT BREAKER IN PANEL AS INDICATED. MAKE ALL FINAL ELECTRICAL CONNECTIONS.
- ACCU-3, ACCU-4: PROVIDE A 60A/2P NON-FUSED DISCONNECT SWITCH IN NEMA "3R" ENCLOSURE. RUN 3 #8 AND 1 #10 GROUND FROM DISCONNECT SWITCH TO A 40A/2P "HACR" CIRCUIT BREAKER IN PANEL AS INDICATED. MAKE ALL FINAL ELECTRICAL CONNECTIONS.
- ACCU-5: PROVIDE A 60A/2P NON-FUSED DISCONNECT SWITCH IN NEMA "3R" ENCLOSURE. RUN 3 #8 AND 1 #10 GROUND FROM DISCONNECT SWITCH TO A 30A/2P "HACR" CIRCUIT BREAKER IN PANEL AS INDICATED. MAKE ALL FINAL ELECTRICAL CONNECTIONS.
- PROVIDE TELEPHONE OUTLETS FOR TWO-LINE PHONES WHERE INDICATED. PROVIDE J-BOX OUTLET, COVERPLATE AND TYPE CAT 5e WIRE PER LINE FROM OUTLETS TO TELEPHONE MASTER BOARD LOCATED IN MECHANICAL ROOM AS SHOWN. VERIFY EXACT LOCATIONS WITH OWNER PRIOR TO ROUGH-IN. CONNECT TELEPHONE LINES TO 66 BLOCK AT T.D. LOCATION.
- ELECTRICAL PANEL LOCATION: SEE PANEL SCHEDULES ON THIS SHEET FOR INFORMATION.
- QUAD OUTLET SHALL BE INSTALLED IN THE CEILING DIRECTLY OVER THE OFFICE DOOR.
- ENTRANCE SECURITY RELEASE BUTTON. FINAL LOCATION TO BE DETERMINED BY GODDARD SYSTEMS PROJECT MANAGER.
- EMERGENCY/AUXILIARY TELEPHONE LINE (LINE "E")
- PROVIDE A 24V. CONNECTION TO OUTSIDE AIR, MOTORIZED.
- 3/4" 4x8 PLYWOOD EQUIPMENT MOUNTING BOARD. MOUNT AT 3'-0" AFF.
- CHILDPROOF RECEPTACLE IN WEATHERPROOF ENCLOSURE, RUN TO 20 AMP GFCI - PROTECTED CIRCUIT.
- ALL RECEPTACLES IN THIS ROOM SHALL BE GFCI.
- TIMECLOCKS FOR MOTOR DAMPERS AND EXTERIOR LIGHTING (SEE SHEET M1.1)
- CONTRACTOR SHALL PROVIDE CIRCUIT FOR OVEN FOR POTENTIAL FUTURE FULL SERVICE
- PROVIDE CABLE PENETRATION INTO BACK OF WEATHERPROOF 2x4 BDX. BOX TO HAVE 1/2" HUB. PROVIDE COAXIAL AND POWER CABLE HOMERUN TO OWNER'S OFFICE CLOSET.
- PROVIDE COAXIAL AND POWER CABLE HOMERUN TO OWNER'S OFFICE CLOSET. COIL CABLE AND LEAVE ABOVE DROP CEILING AT CAMERA LOCATION.
- PROVIDE COAXIAL AND POWER CABLE HOMERUN TO OWNER'S OFFICE CLOSET. MOUNT COAXIAL CONNECTION BOX @ 86" AFF. PROVIDE DUPLEX RECEPTACLE @ 86" AFF.
- THIS RECEPTACLE FOR THE MICROWAVE LOCATED AT +60" IS TO BE RECESSED INTO THE WALL CAVITY SO THE MICROWAVE CAN SIT BACK AGAINST THE FINISHED WALL.

ELECTRICAL GENERAL NOTES

- THE DRAWINGS IN THIS SECTION ARE DIAGRAMMATIC AND ARE NOT INTENDED TO DEFINE EXACT QUANTITIES, LOCATIONS, OR CODIFIED REQUIREMENTS. THE DRAWINGS SHALL NOT BE SCALED. EXACT STATE AND LOCAL CODE REQUIREMENTS AND OTHER APPLICABLE CODE REQUIREMENTS SHALL BE VERIFIED BY AND ARE THE SOLE RESPONSIBILITY OF THIS CONTRACTOR. ANY INFORMATION WHICH DIRECTLY CONFLICTS WITH ANY OF THESE CODES OR ANY OTHER DISCREPANCIES FOUND IN THE CONTRACT DOCUMENTS SHALL BE BROUGHT TO THE ATTENTION OF THE PROJECT ARCHITECT.
- ELECTRIC PERMITS SHALL BE APPLIED FOR, OBTAINED, AND PAID FOR BY THIS CONTRACTOR. THIS CONTRACT SHALL VERIFY THE DESIGN OF THE SYSTEMS IDENTIFIED BY THE CONTRACT DOCUMENTS, AND BY VIRTUE OF COMPLETING THE WORK SHALL BE RESPONSIBLE FOR GUARANTEES AND SHALL WARRANT THE INSTALLED SYSTEMS WILL FUNCTION PROPERLY AS DESIGNATED BY THE CONTRACT DOCUMENTS.
- THIS CONTRACTOR IS RESPONSIBLE FOR PROVIDING THROUGH PENETRATION PROTECTION DEVICES AND FIRESTOPPING DEVICES AT ALL PIPES, LINES WIRING, DUCTWORK, OR OTHER COMPONENTS THIS CONTRACTOR INSTALLS WHICH PENETRATE RATED WALLS OR FLOOR / CEILING ASSEMBLIES.
- SEE SITE DRAWINGS FOR ADDITIONAL REQUIREMENTS.
- THIS CONTRACTOR SHALL PROVIDE AND INSTALL EQUIPMENT REQUIRED FOR TEMPORARY ELECTRIC SERVICE SUFFICIENT FOR ALL NEW CONSTRUCTION.
- ALL KITCHEN, BATH AND SINK COUNTERTOP AND EXTERIOR WEATHERPROOF OUTLETS SHALL BE G.F.I. (GROUND FAULT INTERRUPT) TYPE. ALL DEVICES MOUNTED AT COUNTERTOP LEVEL OR AS MAY OTHERWISE BE REQUIRED, SHALL BE MOUNTED IN A FASHION SO THAT THE BOTTOM OF THE DEVICE TRIM, COVER PLATE, ETC., CAN BE FASTENED CLEAR OF ANY TRIM SUCH AS BACKSPASHES, SIDEBARDS, ETC. ANY REQUIRED RELOCATION OF DEVICES SHALL BE AT THE EXPENSE OF THIS CONTRACTOR.
- CONNECT FIRE PROTECTION DEVICES TO CENTRAL PANEL WHICH IS LINKED TO THE PHONE LINE FOR THIRD-PARTY MONITORING SERVICE.
- EACH CLASSROOM MUST BE WIRED FOR PHONE SERVICE. AN OUTLET SHOULD BE LOCATED APPROXIMATELY 12 INCHES FROM THE PHONE JACK (SEE SECTION 9/4A.1). THE JACKS SHOULD BE ABLE TO ACCOMMODATE A 2-LINE PHONE.
- AT LEAST ONE CHILDPROOF OUTLET MUST BE LOCATED ABOVE THE CUBBIES AT APPROXIMATELY 65" ABOVE FINISHED FLOOR. THE OUTLET SHALL BE AT 72" ABOVE FINISHED FLOOR IN ROOM 124 (6 WKS.-12 MOS).
- RECEPTACLES IN ALL CLASSROOMS, CORRIDORS, OFFICES, AND EXTERIOR WEATHERPROOF OUTLETS WITHIN PLAYING AREAS SHALL BE CHILD RESISTANT, TYPICAL AS SPECIFIED.

WIRE ONLY FOR CCTV SYSTEM INDICATES ROUGH-IN LOCATIONS. COORDINATE LOCATIONS TO ILLUMINATE PLAYGROUND AREAS AND VERIFY WITH GODDARD SYSTEMS, INC.



POWER SYMBOL LEGEND

	DUPLEX RECEPTACLE TAMPER PROOF RECEPTACLE		TELEPHONE OUTLET LOCATION, WITH NUMBER OF PORTS. 0" CONDUIT TO ABOVE ACCESSIBLE CEILING. HOMERUN TYPE CAT 5e TO T.D. LOCATION. PUNCH DOWN TO 66 BLOCK
	20 AMP CIRCUIT HEAVY DUTY PLUG		DATA OUTLET LOCATION, WITH NUMBER OF PORTS. 0" CONDUIT TO ABOVE ACCESSIBLE CEILING. HOMERUN TYPE CAT 5e TO T.D. LOCATION. PUNCH DOWN TO 12 PORT PATCH PANEL
	QUAD RECEPTACLE		ROUGH IN BELDEN 1426A COAX AND BELDEN 8461 FROM CAMERA LOCATION ON OWNER'S CLOSET LEAVE 30' ON EACH END. INSTALL WEATHER PROOF BOX ON EXTERIOR LOCATIONS. C.C.T.V. (CLOSED CIRCUIT TELEVISION) (SEE SPECS)
	GROUND FAULT INTERRUPT RECEPTACLE		MONITOR (SEE SPECIFICATIONS) MOUNT @ 76" AFF. (NOT IN CONTRACT)
	WEATHERPROOF, CHILDPROOF GROUND FAULT INTERRUPT CIRCUIT		CONDUIT SYSTEM, CONCEALED
	DISCONNECT SWITCH (SEE PLANS FOR FUSING)		HOMERUN. CONDUIT SYSTEM TO PANEL AS NOTED ON DRAWINGS
	208/120V. PANEL BOARD		ELECTRIC DOOR STRIKE, SEE SPECIFICATIONS
	JUNCTION BOX		24 VOLT DAMPER
	SINGLE POLE SWITCH		TELEVISION COAX (HOMERUN TO MECHANICAL ROOM DEMARK)
	DOUBLE POLE SWITCH		POWER SUPPLY WITH BATTERY BACKUP, MOUNT ABOVE FINISHED CEILING
	ELECTRIC METER		DIGITAL VIDEO RECORDER
	ENTRANCE DOOR STRIKE RELEASE BUTTON, MOUNT @ 42" AFF.		FIRE ALARM CONTROL PANEL
	TELEPHONE DEMARCATION		DOOR CHIME TIED TO FRONT ENTRY DOORBELL
	WIRELESS RECEIVER, SEE SPECIFICATIONS		
	HANDKEY UNIT INSTALLED BY OWNER. CONTRACTOR TO RUN CAT 5e CABLE FROM HK LOCATION TO MECH. ROOM. PUNCH DOWN IN DATA PATCH PANEL MALE R145 AT HK LOCATION. ROUGH IN @ 48"		
	FRONT ENTRY DOORBELL		

NOTE: NOT ALL SYMBOLS LISTED ABOVE ARE SHOWN ON PLANS. THE SYMBOL LEGEND IS USED FOR REFERENCE OF SYMBOLS SHOWN ON PLANS. SEE SPECIFICATIONS FOR INFORMATION RELATED TO SYMBOLS.

**INTERPLAN**  
ARCHITECTURE  
ENGINEERING  
INTERIOR DESIGN  
PROJECT MANAGEMENT

AA 003420  
CA 8660

ONE SOUTH 280 SUMMIT AVE  
SUITE D  
OAKBROOK TERRACE, IL 60181  
PH 630.932.2336  
FX 630.932.2339

COPYRIGHT & OWNERSHIP OF DOCUMENTS  
COPYRIGHT ©  
INTERPLAN LLC RESERVES COPYRIGHT & OTHER RIGHTS RESTRICTING THESE DOCUMENTS TO THE ORIGINAL SITE OR PURPOSE FOR WHICH THEY WERE PREPARED. REPRODUCTIONS, CHANGES OR ASSIGNMENTS ARE PROHIBITED.

SIGNATURE

SEAL

DATE: 11.30.2011

PROJECT NO.: 2011.0321

CAD REFERENCE NO.: AUTOCAD 2011

PLOT REFERENCE NO.: NONE

DRAWING SCALE: SEE DRAWING

REVISIONS

NO.	DATE	DESCRIPTION
1	11-20-11	ISSUE FOR PERMIT
2	01-12-12	ISSUE FOR PERMIT



PROJECT TITLE

THE GODDARD SCHOOL  
FOR EARLY CHILDHOOD DEVELOPMENT

ILLINOIS 8400

SWC OF 83RD STREET AND LEMONT ROAD  
DARIEN, ILLINOIS

SHEET TITLE

POWER PLAN

SHEET NUMBER

E1.1

**YES**  
YAGLA ENGINEERING SERVICES

Received 1/16/12  
By Primax Construction, Inc.

3255 HILLCREST RD GENEVA, IL 60134 (630) 777-9880  
IL DESIGN FIRM LICENSE NO: 134.005166  
WEBSITE: www.yagla.com EMAIL: tyagla@yagla.com

COPYRIGHT & OWNERSHIP OF DOCUMENTS  
COPYRIGHT ©  
INTERPLAN LLC RESERVES COPYRIGHT &  
OTHER RIGHTS RESTRICTING THESE  
DOCUMENTS TO THE ORIGINAL SITE OR  
PURPOSE FOR WHICH THEY WERE  
PREPARED. REPRODUCTIONS, CHANGES  
OR ASSIGNMENTS ARE PROHIBITED.

SIGNATURE

SEAL

DATE 11.30.2011  
PROJECT NO. 2011.0321  
CAD REFERENCE NO. AUTOCAD 2011  
PLOT REFERENCE NO. NONE  
DRAWING SCALE SEE DRAWING

REVISIONS		
NO.	DATE	DESCRIPTION
1	11-20-11	GSI REVIEW
2	01-12-12	ISSUE FOR PERMIT



PROJECT TITLE

THE GODDARD SCHOOL  
FOR EARLY CHILDHOOD DEVELOPMENT  
ILLINOIS 8400  
SWC OF 83RD STREET AND LEMONT ROAD  
DARIEN, ILLINOIS

Received 1/16/12  
By Primax Construction, Inc.

SHEET TITLE  
**E1.2**  
ENLARGED OFFICE  
ELECTRICAL PLAN

SHEET NUMBER

**YES**  
YAGLA ENGINEERING SERVICES  
3255 HILLCREST RD GENEVA, IL 60134 (630) 777-9880  
IL DESIGN FIRM LICENSE NO: 184.005166  
WEBSITE: www.yagla.com EMAIL: tyagla@yagla.com

PANELBOARD: B  
LOCATION: MECH ROOM TYPE: NEMA 1, BOLT-ON, CB BUS: 100 A  
MAIN: MLO MOUNTING: SURFACE VOLTAGE: 240 /120V, 1P, 3W

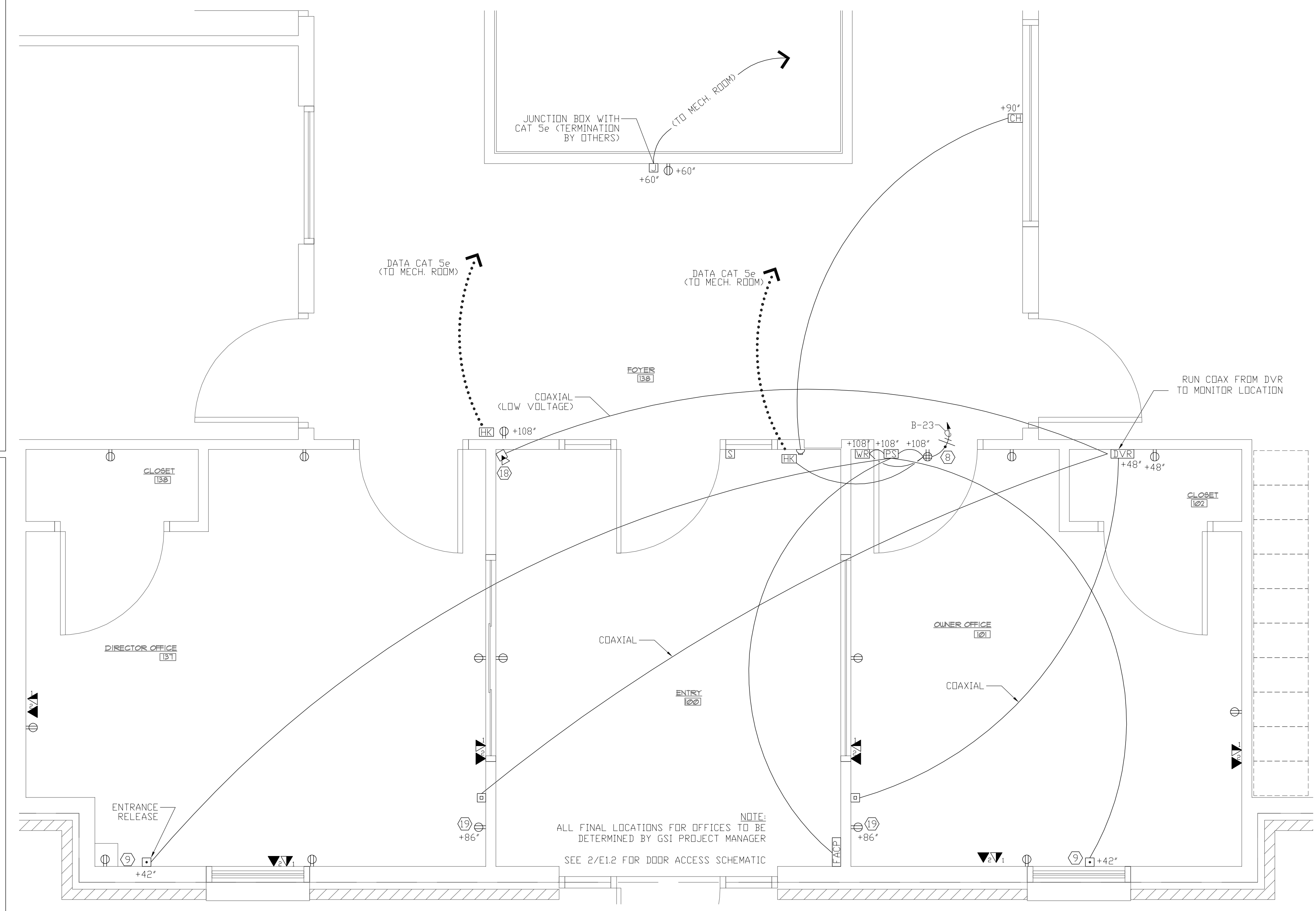
CCT	C/B	DESCRIPTION	PHASE A VA	PHASE B VA	DESCRIPTION	C/B	CCT
1	20		1360		RECEPTACLES, EWC	20	1 2
3	20					20	1 4
5	20	1 CCTV SYSTEM	200	500	RM 219 REFRIGERATOR	20	1 6
7	20	1 RECEPTACLES		720 500	RM 219 REFRIGERATOR	20	1 8
9	20	1 RECEPTACLES	720	1080	RECEPTACLES	20	1 10
11	20	1 RECEPTACLES		720 900	RECEPTACLES	20	1 12
13	20	1 RECEPTACLES	900	900	RECEPTACLES	20	1 14
15	20	1 RECEPTACLES		720 1260	RECEPTACLES	20	1 16
17	20	1 RECEPTACLES	720	900	RECEPTACLES MECH RM	20	1 18
19	20	1 RECEPTACLES		720		20	1 20
21	20	1 RECEPTACLES	1440	2500	ELEC UNIT HEATER	30	2 22
23	20	1 WIRELESS TRANSMITTER		500 2500		20	2 24
25	20	1		400	TIMECLOCKS	20	1 26
27	20	1		500	RECEPTACLES	20	1 28
29	20	1 EXT RECEPTACLES GFIC	1080	500	RECEPTACLES	20	1 30
TOTAL VA/ PHASE			13200	9040	TOTAL VA 22240		
			110	75	TOTAL AMPS 93		
					DEMAND AMPS 78		

22,000 AIC RATED LO : PROVIDE CIRCUIT BREAKER LOCK-ON DEVICE  
C : CONTACTOR CONTROLLED CIRCUIT

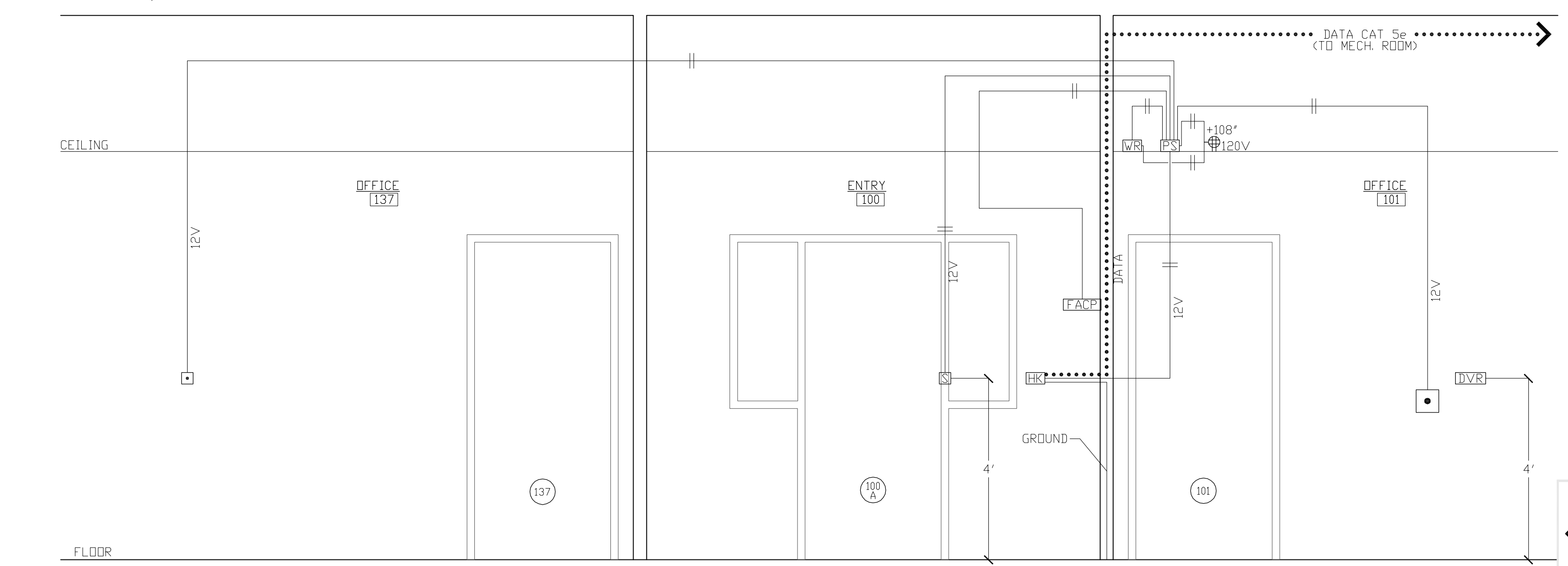
PANELBOARD: C  
LOCATION: MECH ROOM TYPE: NEMA 1, BOLT-ON, CB BUS: 100 A  
MAIN: MLO MOUNTING: SURFACE VOLTAGE: 240 /120V, 1P, 3W

CCT	C/B	DESCRIPTION	PHASE A VA	PHASE B VA	DESCRIPTION	C/B	CCT
1	20	1 BASEBOARD HEATERS	800			20	1 2
3	20					20	1 4
5	20					20	1 6
7	20					20	1 8
9	20					20	1 10
11	20	1 EM LTG		384		20	1 12
13	20	1 LTG, EF-14, EF-15	768			20	1 14
15	20	1 LTG EXTERIOR		920		20	1 16
17	20	1 LTG EXTERIOR	360			20	1 18
19	20	1 LTG ATTIC		700 960	LTG, EF-1	20	1 20
21	20	1 LTG, EF-2	1056	864	LTG, EF-3	20	1 22
23	20	1 LTG, EF-4		1248 864	LTG	20	1 24
25	20	1 LTG, EF-5, EF-6, EF-7	864	480	LTG, EF-8, EF-9	20	1 26
27	20	1 LTG, EF-10, EF-11, EF-12		480 864	LTG, EF-13	20	1 28
29	20	1 LTG	672	864	LTG	20	1 30
TOTAL VA/ PHASE			6728	6420	TOTAL VA 13148		
			56	54	TOTAL AMPS 55		
					DEMAND AMPS 68		

22,000 AIC RATED LO : PROVIDE CIRCUIT BREAKER LOCK-ON DEVICE  
C : CONTACTOR CONTROLLED CIRCUIT



**1 ENLARGED OFFICE PLAN**  
E1.2 SCALE: 1/2" = 1'-0"



**2 DOOR ACCESS SCHEMATIC**  
E1.2 SCALE: 1/2" = 1'-0"

ZIP

COPYRIGHT & OWNERSHIP OF DOCUMENTS  
COPYRIGHT ©  
INTERPLAN LLC RESERVES COPYRIGHT &  
OTHER RIGHTS RESTRICTING THESE  
DOCUMENTS TO THE ORIGINAL SITE OR  
PURPOSE FOR WHICH THEY WERE  
PREPARED. REPRODUCTIONS, CHANGES  
OR ASSIGNMENTS ARE PROHIBITED.

SIGNATURE

SEAL

DATE 11.30.2011  
PROJECT NO. 2011.0321  
CAD REFERENCE NO. AUTOCAD 2011  
PLOT REFERENCE NO. NONE  
DRAWING SCALE. SEE DRAWING

REVISIONS		
NO.	DATE	DESCRIPTION
1	12-20-11	GIS REVIEW
2	01-12-12	ISSUE FOR PERMIT



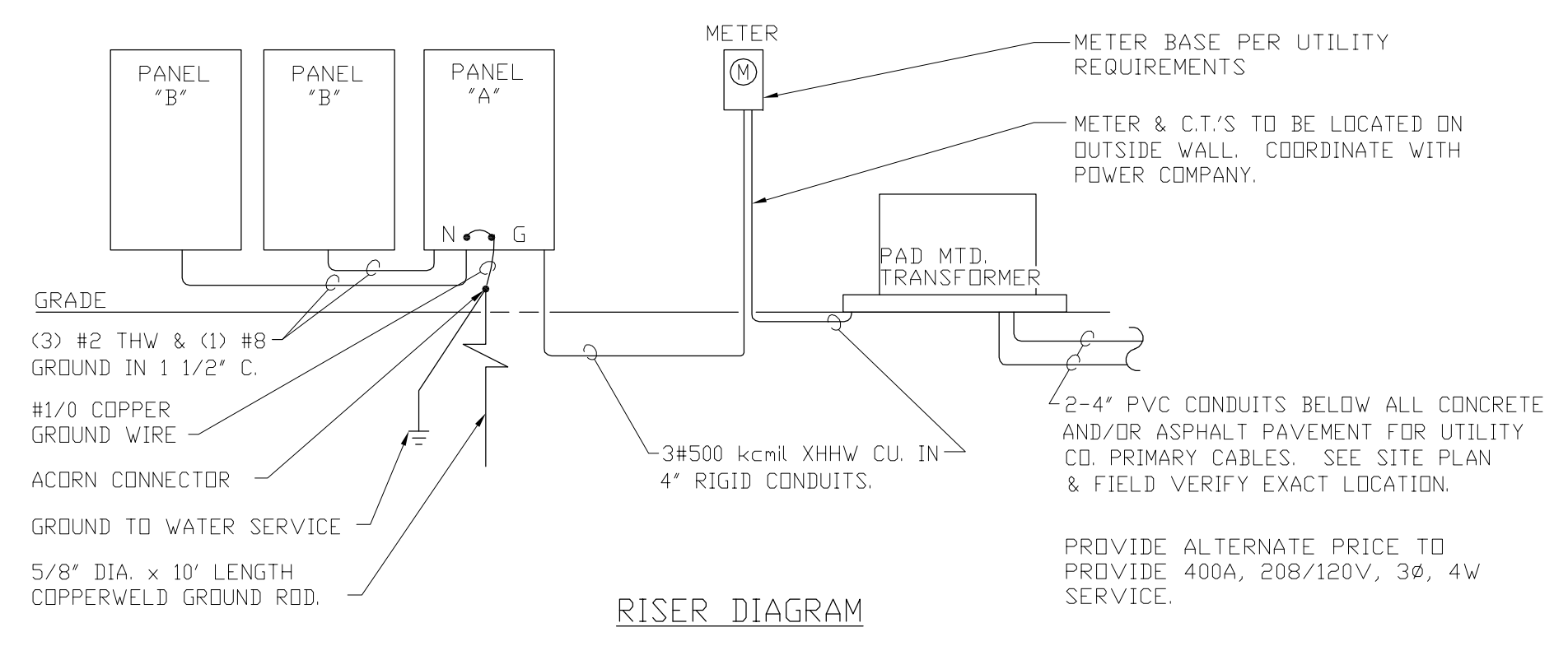
PROJECT TITLE

THE GODDARD SCHOOL  
FOR EARLY CHILDHOOD DEVELOPMENT  
ILLINOIS 8400  
SWC OF 83RD STREET AND LEMONT ROAD  
DARIEN, ILLINOIS ZIP

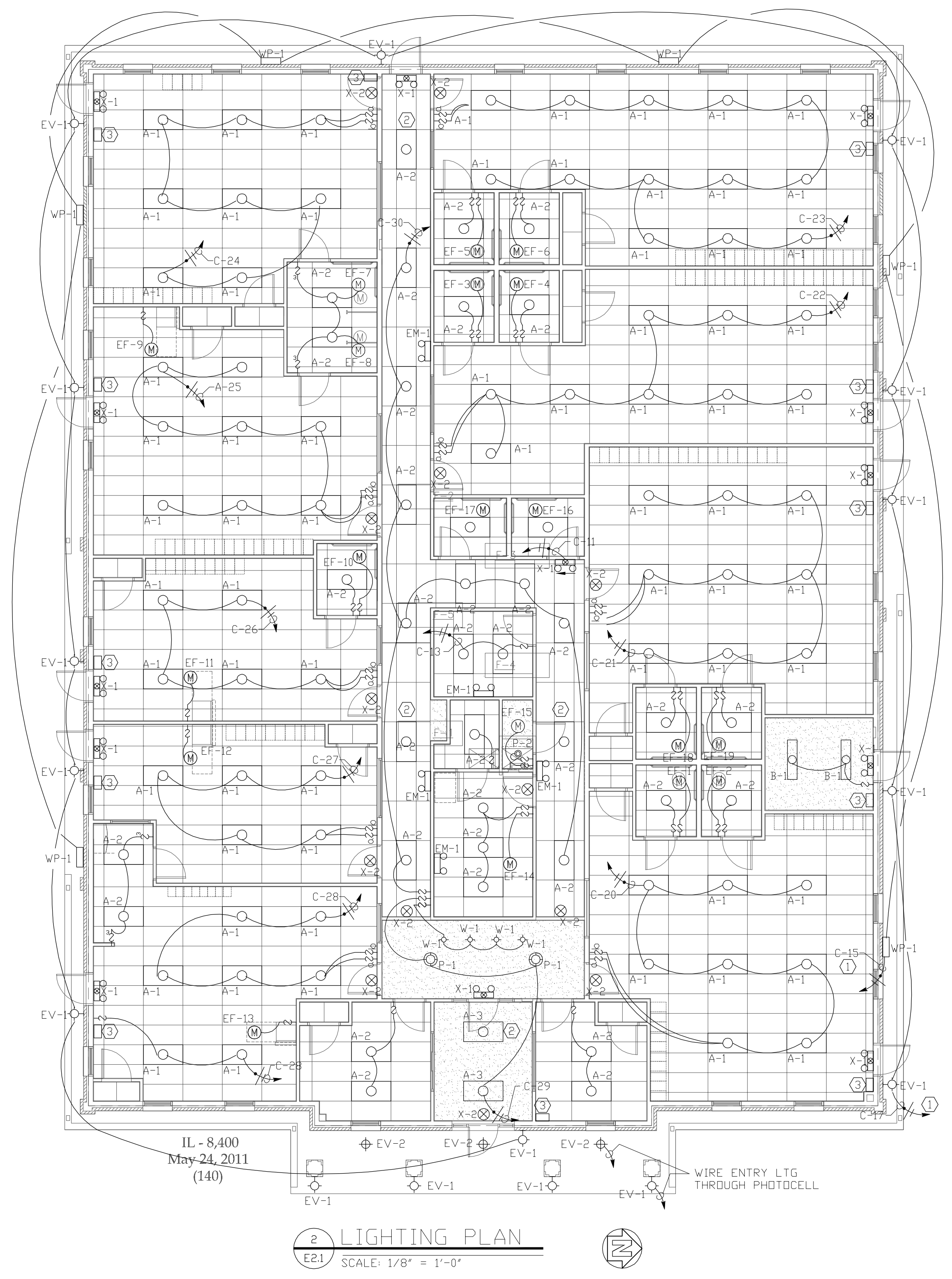
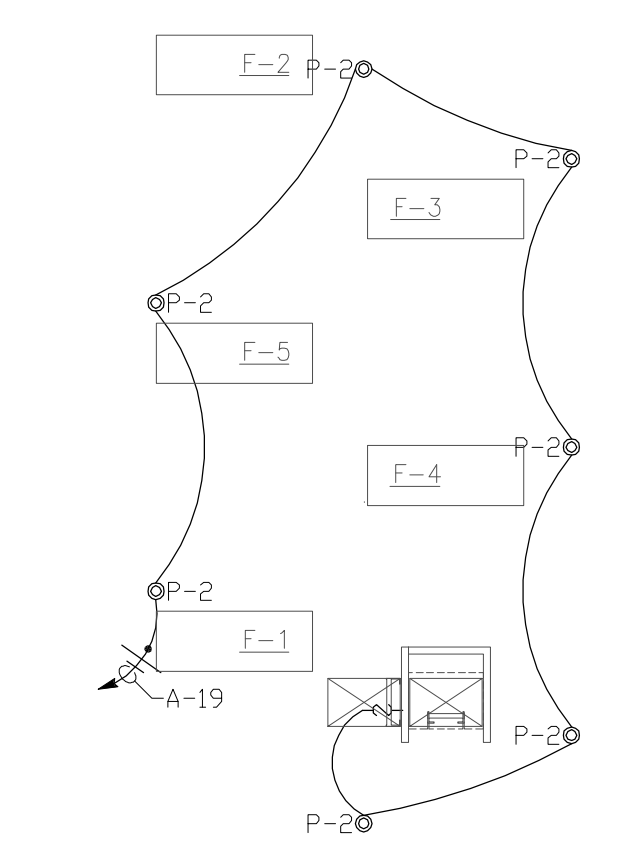
SHEET TITLE  
LIGHTING PLAN  
AND SCHEDULES

SHEET NUMBER

E2.1



FIXTURE SCHEDULE			
MARK	CODE	DESCRIPTION	MOUNTING
○	A-1	FLUORESCENT (WITH a/b BALLAST SWITCHING)	LAY-IN GRID
○	A-2	FLUORESCENT	LAY-IN GRID
○	A-3	RECESSED FLUORESCENT	RECESSED IN CEILING
○	B-1	INDUSTRIAL FIXTURE	CEILING MTD. OR SUSPENDED
○	C-1	SURFACE MOUNTED FLUORESCENT T8 HIGH IMPACT LENSE	SURFACE MOUNTED
◇	C-2	8" RECESSED CAN	RECESSED IN CEILING
Ⓜ	EF-1	EXHAUST FAN	RECESSED IN CEILING
Ⓜ	EM-1	EMERGENCY LIGHT WALL-PACK	WALL MOUNTED
◇	EV-1	EGRESS LIGHT W/ REMOTE MOUNTED BATTERY	WALL MOUNTED
⊕	EV-2	RECESSED METAL HALIDE DOWNLIGHT	RECESSED IN SOFFIT
⊙	P-1	18"Ø PENDANT FIXTURE	SUPENDED FROM CEILING
●	P-2	KEYLESS PORCELAIN FIXTURE	CEILING MOUNTED
◇	W-1	WALL WASHER RECESSED CAN (W/ DIMMER)	RECESSED IN CEILING
Ⓜ	WP-1	EXTERIOR WALL-PACK. PROVIDE GLARE SHIELD. (12" BELOW EAVE)	WALL MOUNTED
Ⓜ	X-1	EXIT / EMERGENCY LIGHT COMBO	CEILING MOUNTED
⊗	X-2	EXIT LIGHT	CEILING MOUNTED
⚡		SINGLE POLE SWITCH	WALL MOUNTED
⚡		DOUBLE POLE SWITCH	WALL MOUNTED



- ELECTRICAL GENERAL NOTES:**
- THE DRAWINGS IN THIS SECTION ARE DIAGRAMATIC AND ARE NOT INTENDED TO DEFINE EXACT QUANTITIES, LOCATIONS, OR CODE REQUIREMENTS. THE DRAWINGS SHALL NOT BE SCALED. EXACT STATE AND LOCAL CODE REQUIREMENTS AND OTHER APPLICABLE CODE REQUIREMENTS SHALL BE VERIFIED BY, AND ARE THE SOLE RESPONSIBILITY OF THE CONTRACTOR. ANY INFORMATION WHICH CONFLICTS WITH ANY OF THESE DRAWINGS SHALL BE BROUGHT TO THE ATTENTION OF THE PROJECT ARCHITECT.
  - ELECTRICAL PERMITS SHALL BE APPLIED FOR, OBTAINED, AND PAID FOR BY THE CONTRACTOR. THE CONTRACTOR SHALL VERIFY THE DESIGN OF THE SYSTEMS IDENTIFIED BY THE CONTRACT DOCUMENTS, AND BY VIRTUE OF COMPLETING THE WORK SHALL BE RESPONSIBLE FOR GUARANTEES AND SHALL WARRANT THAT THE INSTALLED SYSTEMS WILL FUNCTION PROPERLY AS DESIGNATED BY THE CONTRACT DOCUMENTS.
  - SEE SITE DRAWINGS FOR ADDITIONAL REQUIREMENTS OF LIGHTING AND POWER.
  - THE CONTRACTOR SHALL PROVIDE AND INSTALL EQUIPMENT REQUIRED FOR TEMPORARY ELECTRIC SERVICE SUFFICIENT FOR ALL NEW CONSTRUCTION.
  - ALL LAMPS IN AREAS ACCESSIBLE TO CHILDREN MUST BE EXPLOSION PROOF FIXTURES OR BE EQUIPPED WITH LAMP SHIELDS OR OTHER MEANS OF PROTECTION.
  - EMERGENCY LIGHTING POWER TO BE PULLED FROM NEAREST SUPPLY CIRCUIT (NOT ON A SWITCH).

- ELECTRICAL NOTES:**
- EXTERIOR GENERAL AREA LIGHTING SHALL BE CONTROLLED BY A PHOTOCELL AND TIMECLOCK.
  - FLUORESCENT LIGHT TO BE A NIGHT LIGHT AND ON 24 HOURS A DAY. MATCH CODE, DESCRIPTION, AND MOUNTING AS STATED ON PLAN.
  - REMOTE BATTERY FOR TYPE EV-1 FIXTURE ABOVE CEILING.

Received 1/16/12  
By Primax Construction, Inc.

**YES**  
YAGLA ENGINEERING SERVICES  
3255 HILLCREST RD GENEVA, IL 60134 (630) 777-9880  
IL DESIGN FIRM LICENSE NO: 134.005166  
WEBSITE: www.yagla.com EMAIL: tyagla@yagla.com

COPYRIGHT & OWNERSHIP OF DOCUMENTS  
 COPYRIGHT ©  
 INTERPLAN LLC RESERVES COPYRIGHT &  
 OTHER RIGHTS RESTRICTING THESE  
 DOCUMENTS TO THE ORIGINAL SITE OR  
 PURPOSE FOR WHICH THEY WERE  
 PREPARED. REPRODUCTIONS, CHANGES  
 OR ASSIGNMENTS ARE PROHIBITED.

SIGNATURE

SEAL

DATE 11.30.2011  
 PROJECT NO. 2011.0321  
 CAD REFERENCE NO. AUTOCAD 2011  
 PLOT REFERENCE NO. NONE  
 DRAWING SCALE. SEE DRAWING

REVISIONS		
NO.	DATE	DESCRIPTION
1	12-20-11	CSI REVIEW
2	01-12-12	ISSUE FOR PERMIT



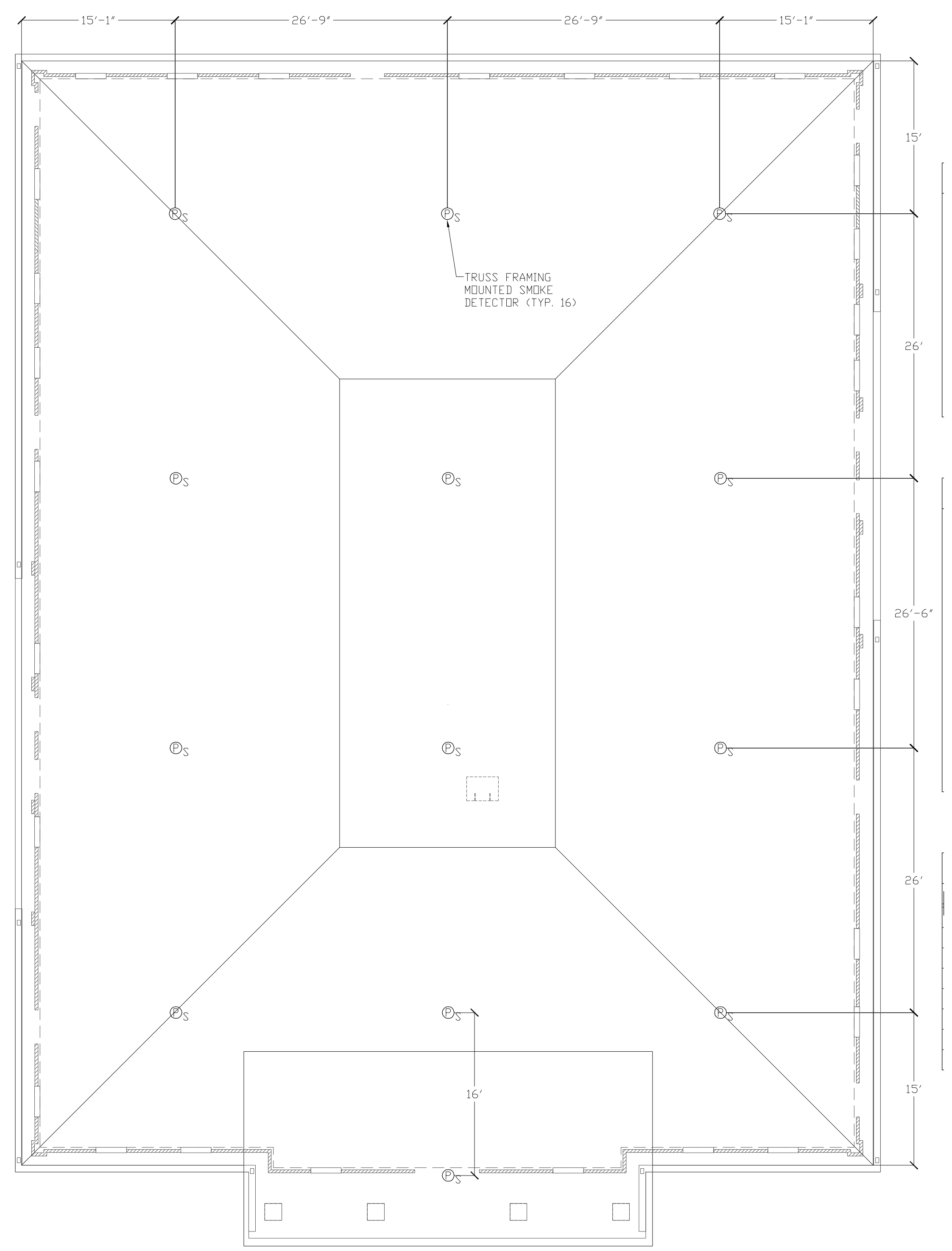
PROJECT TITLE

THE GODDARD SCHOOL  
 FOR EARLY CHILDHOOD DEVELOPMENT  
 ILLINOIS 8400  
 SWC OF 83RD STREET AND LEMONT ROAD  
 DARIEN, ILLINOIS

SHEET TITLE  
 ALARM SYSTEMS PLAN

SHEET NUMBER

E3.1



1  
 E3.1 ATTIC SMOKE DETECTOR PLAN  
 SCALE: 6" = 1'-0"

**ALARM SYSTEM GENERAL NOTES:**

1. FIRE ALARM SYSTEMS SHOWN ON THESE DRAWINGS ARE SCHEMATIC AND INTENDED TO REPRESENT THE GENERAL CONCEPT IN FIRE ALARM LAYOUT, INCLUDING WIRING, ZONING, INITIATING DEVICES, SIGNALING DEVICES, AND CONTROLS. THE CONTRACTOR SHALL VERIFY AND CONFIRM ALL COMPONENTS, WIRING, AND ZONING AND SUBMIT THESE IN SHOP DRAWINGS FOR THE ARCHITECT'S REVIEW.
2. FIRE ALARM SYSTEMS AND DETECTION SYSTEMS SHALL BE INSTALLED PER NFPA 70, NFPA 72, NFPA 13 AND REQUIREMENTS OF LOCAL AND STATE FIRE OFFICIALS. PROVIDE SMOKE DETECTION DEVICES AT LOCATIONS TO COMPLY WITH NFPA 72, NOT TO EXCEED 30 FEET ON CENTER.
3. COORDINATE ALARM WIRING WITH AUTOMATIC SPRINKLER SYSTEM PER NFPA 13.
4. INSTALL ATTIC SMOKE/FIRE DETECTORS PER NFPA 70, NFPA 72 AND NFPA 13. ATTIC SMOKE DETECTORS - USE 900 SQ. FT. MINIMUM SENSITIVITY DETECTOR UNITS. MOUNT ON NEAREST FRAMING MEMBER. USE PHOTOELECTRIC TYPE ONLY.

**ALARM SYSTEM NOTES:**

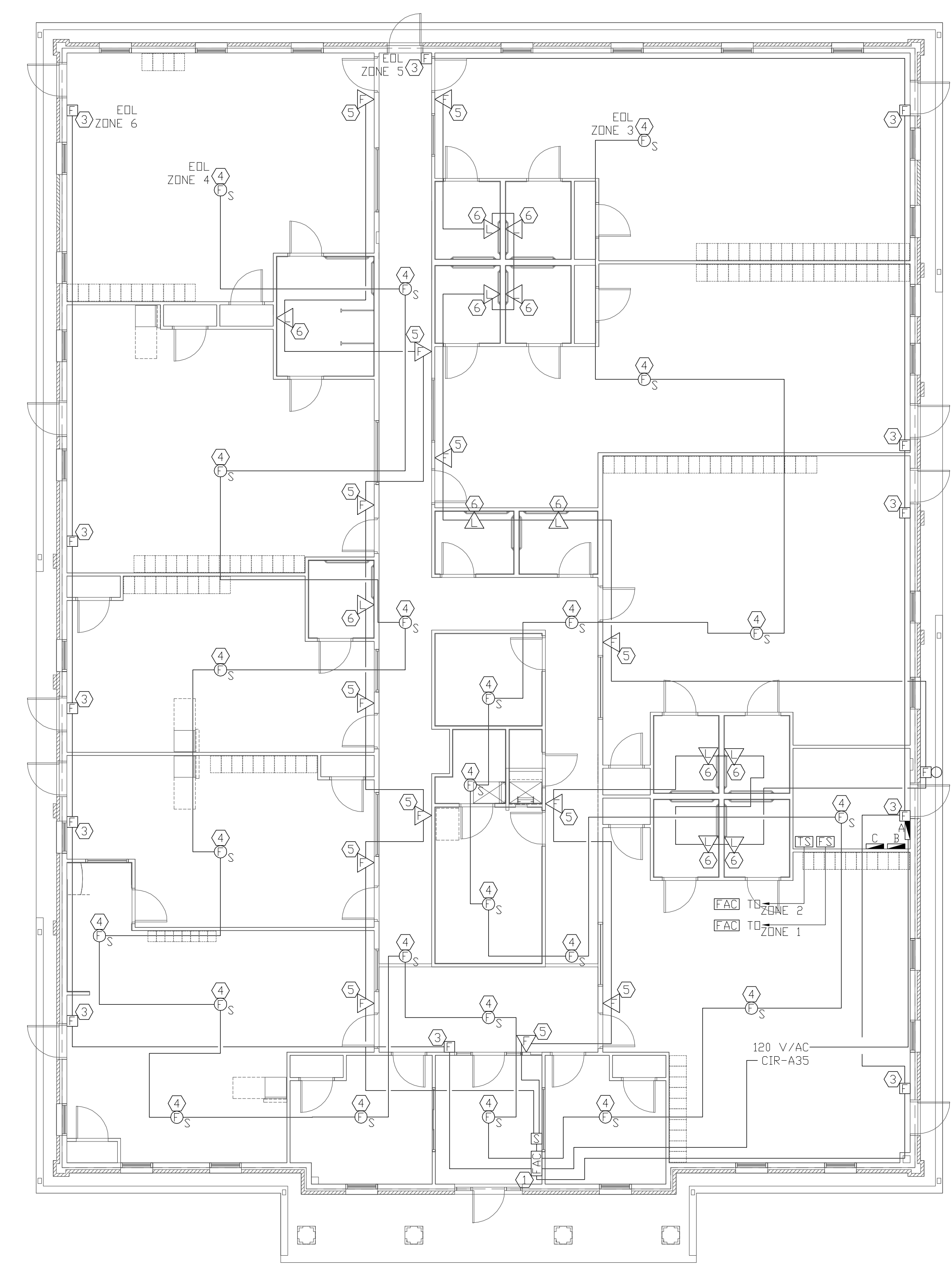
- 1 BUILDING FIRE ALARM SYSTEM CONTROL PANEL: RUN (2) #12 GROUND FROM A JUNCTION BOX TO A DEDICATED 20A/1P CIRCUIT BREAKER IN PANEL AS INDICATED, CIRCUIT 23. F/A PANEL TO BE NOTIFIER 500 SERIES. SEE SPECIFICATIONS FOR MORE INFORMATION.
- 2 SPRINKLER WATER FLOW AND TAMPER SWITCH, MONITOR WITH FIRE ALARM SYSTEM.
- 3 PROVIDE NOTIFIER NBG-10 BUILDING FIRE ALARM SYSTEM PULL STATIONS AS INDICATED ON PLAN. MOUNT @ 48" A.F.F. TO TOP OF DEVICE. (MUST MEET ALL CODE REQUIREMENTS).
- 4 PROVIDE NOTIFIER 1451 BUILDING FIRE ALARM SYSTEM SMOKE DETECTORS AS INDICATED ON PLAN. (MUST MEET ALL CODE REQUIREMENTS).
- 5 PROVIDE GENTEX SHG-24-1575 BUILDING FIRE ALARM SYSTEM HORN/STROBES IN CORRIDORS AND AS INDICATED ON PLANS. MOUNT @ 80" A.F.F. TO BOTTOM OF DEVICE. MOUNT SO THAT DEVICE CAN BE HEARD AND SEEN FROM ANY LOCATIONS IN A ROOM. (MUST MEET ALL CODE REQUIREMENTS).
- 6 PROVIDE GENTEX GXS-4-1575-W BUILDING FIRE ALARM SYSTEM REMOTE STROBES AS INDICATED ON THIS SHEET. MOUNT @ 80" A.F.F. TO BOTTOM OF DEVICE. (MUST MEET ALL STATE AND LOCAL CODE REQUIREMENTS).

**INITIATING ZONE SCHEDULE**

ZONE #	DESCRIPTION
1	WATER FLOW SWITCH
2	TAMPER SWITCH
3	SMOKE DETECTORS
4	SMOKE DETECTORS
5	MANUAL PULL STATION
6	MANUAL PULL STATION
7	SPARE
8	SPARE

**SYMBOL SCHEDULE**

MARK	DESCRIPTION
☐	MANUAL PULL STATION
⊙ <sub>S</sub>	SMOKE DETECTOR
⊙ <sub>S</sub>	PHOTOELECTRIC SMOKE/FIRE DETECTOR
⚡	HORN / STROBE
⚡	STROBE
🔔	ALARM BELL
⊙ <sub>FS</sub>	FLOW SWITCH
⊙ <sub>TS</sub>	TAMPER SWITCH
⊙ <sub>SM</sub>	DUAL SYNC MODULE
⊙ <sub>FAC</sub>	FIRE ALARM CONTROL PANEL
EDL	END OF LINE RESISTOR



2  
 E3.1 ALARM SYSTEMS PLAN  
 SCALE: 6" = 1'-0"

**YES**  
 YAGLA ENGINEERING SERVICES  
 3255 HILLCREST RD GENEVA, IL 60134 (630) 777-9880  
 IL DESIGN FIRM LICENSE NO: 184.005166  
 WEBSITE: www.yagla.com EMAIL: tyagla@yagla.com

Received 1/16/12  
 By Primax Construction, Inc.